

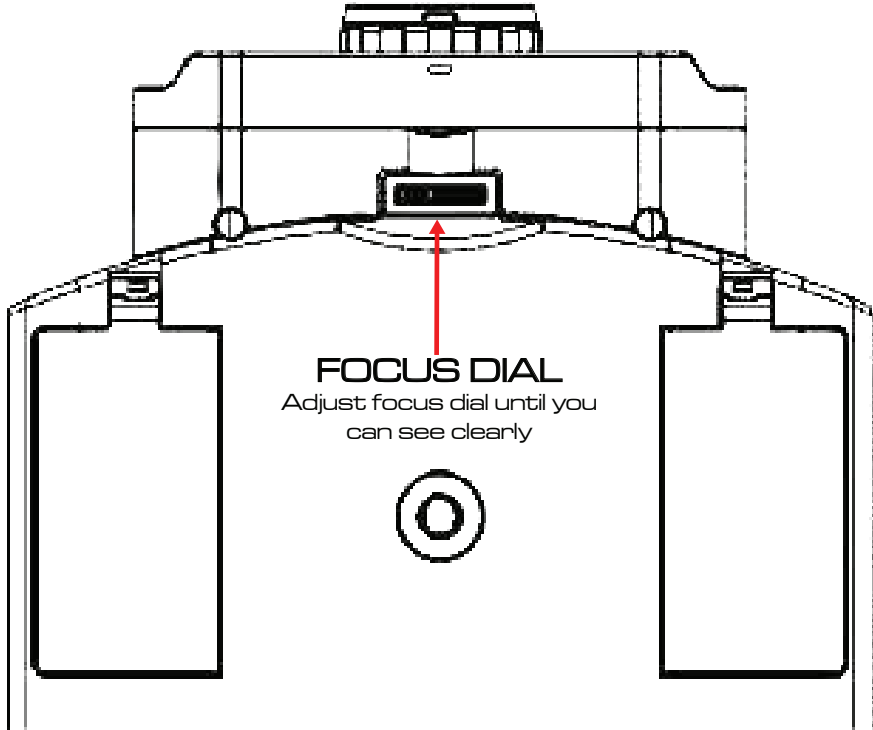


# QUICK START GUIDE

- LOAD BATTERIES INTO PRODUCT (MAKE SURE TO USE **ALKALINE BATTERIES**).
- PRESS AND HOLD THE POWER BUTTON TO TURN BINOCULARS ON/OFF.
- BRING THE SCREEN INTO FOCUS USING THE FOCUS DIAL. ZOOM IN AS NECESSARY. THIS MAY REQUIRE MANY TURNS DEPENDING ON RANGE.

## CONTROLS

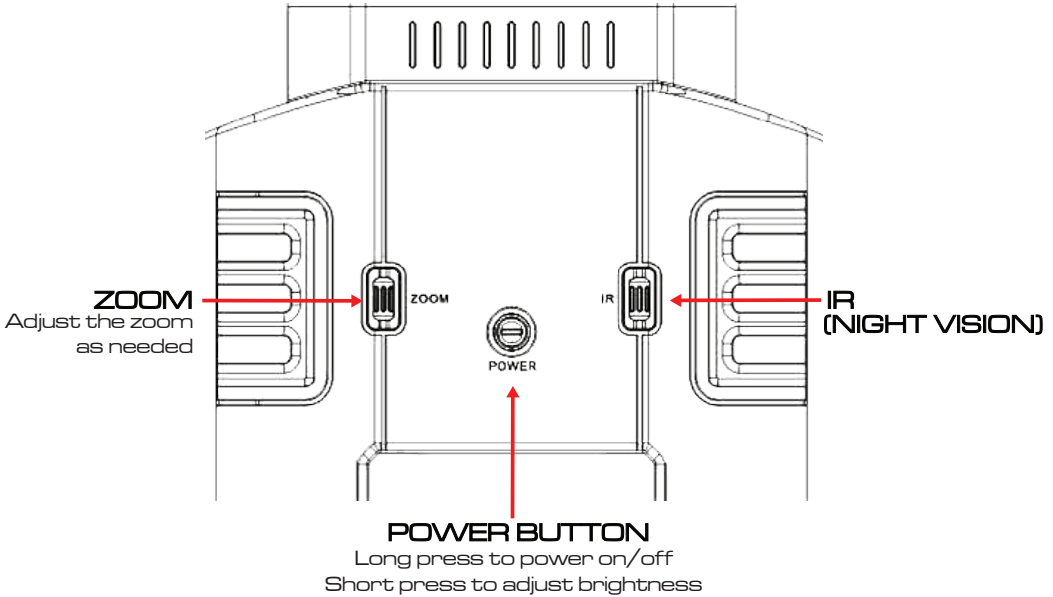
### BOTTOM VIEW



**DISCOVER THE UNSEEN**



## TOP VIEW



## HELPFUL HINTS

- Night Vision does not work through glass. The glass will reflect the IR light signal.
- To see in the dark, make sure to press and release the IR button.
  - There are multiple IR levels (press repeatedly to adjust).
  - The higher the IR setting, the further you will see in the dark.
- ALWAYS make sure to turn off your binoculars when not in use.
- This binocular has an auto shut off feature. After 5 minutes the binocular will power off to conserve battery power.
- X-Vision Optics Infrared technology is composed of wavelengths that the highly sensitive technology in the device can pick up and illuminate but the human eye cannot see. When looking directly at the infrared light, a faint red glow may be visible.

Thank you for your purchase of the X-Vision Binocular. For additional information on X-Vision Optics, please visit our website [www.xvisionoptics.com](http://www.xvisionoptics.com) or visit us on Facebook at X-Vision Optics.

### DISCOVER THE UNSEEN

For Customer Service Contact Us At:

X-Vision Optics

Email: [support@xvisionoptics.com](mailto:support@xvisionoptics.com)  
Phone: 833-993-2383