

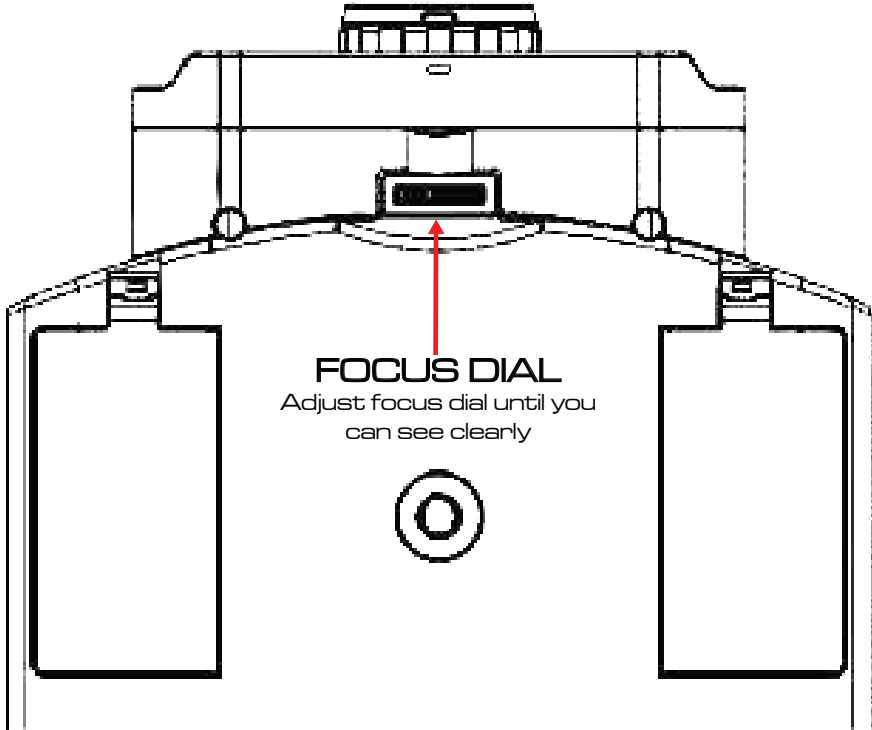


# QUICK START GUIDE

- PRESS AND HOLD THE POWER BUTTON TO TURN BINOCULARS ON/OFF.
- BRING THE SCREEN INTO FOCUS USING THE FOCUS DIAL. ZOOM IN AS NECESSARY. THIS MAY REQUIRE MANY TURNS DEPENDING ON RANGE.

## CONTROLS

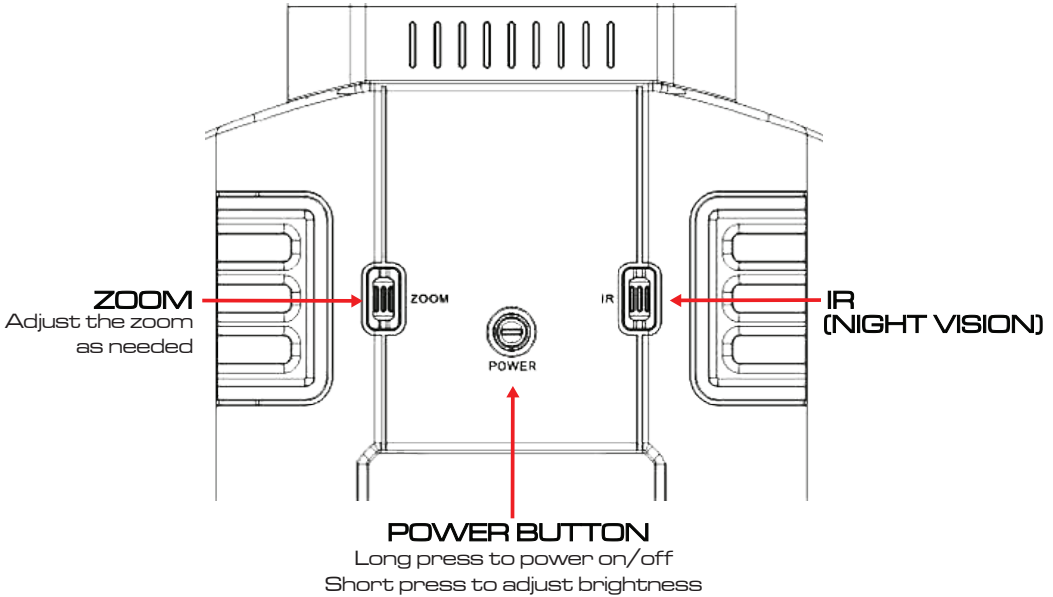
### BOTTOM VIEW



**DISCOVER THE UNSEEN**



## TOP VIEW



## HELPFUL HINTS

- Night vision does not work through glass. The glass will reflect the IR light signal.
- To see in the dark, make sure to press and release the IR button.
  - There are multiple IR levels. (press repeatedly to adjust)
  - The higher the IR setting, the further you will see in the dark.
- ALWAYS make sure to turn off your binoculars when not in use.
- This binocular has an auto shut off feature, after 5 minutes the binocular will power off to conserve battery power.

Thank you for your purchase of the X-Vision Binocular. For additional information on X-Vision Optics, please visit our website [www.xvisionoptics.com](http://www.xvisionoptics.com) or visit us on Facebook at X-Vision Optics.

### DISCOVER THE UNSEEN

For Customer Service Contact Us At:

X-Vision Optics

Email: [support@xvisionoptics.com](mailto:support@xvisionoptics.com)  
Phone: 833-993-2383